

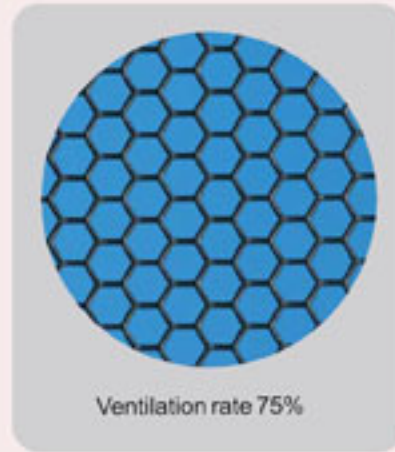
Heavy Metal Racks

06

WWW.FUMOTELECOM.DE



Server / Networking Cabinet



Standard

- Comply with ANSI/EIA, RS-310-D, IEC297-2, DIN41494;PART1, DIN41494;PART7, GB/T3047.2-92, ETSI standard.

Front&Rear door feature:

- High ventilated rate front door with arc hexagonal reticular vented;
- Hexagonal reticular high-density vented plate rear door;
- The ventilated rate is 75%
- Front & rear door are free solder reinforcement structure, Elegant and sturdy;
- Front & rear door with elegant lock;
- The lock can be equipped according to the customer's needs;
- Front&Rear doors can be designed to open in left or right;
- Front&rear doors can be changed to double-doors

Material

- Mounting profile&Mounting angle: Fingerprint resistant aluminum zinc plate; The rest: SPCC cold rolled steel; Thickness: mounting profile 2.0mm, mounting angle 1.5mm, others 1.2mm

Surface finish:

- Degreasing, Vitrification, power coated;

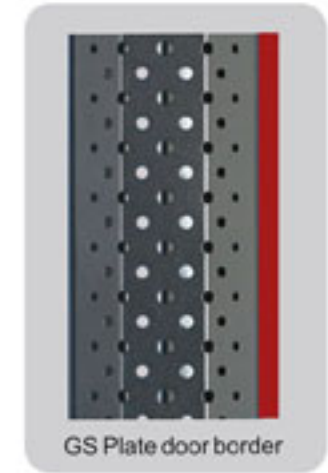
Degree of protection:

- IP20

Loading capacity:

- Static loading: 800KG (with adjustable feet)

Server / Networking Cabinet



Standard

- Comply with ANSI/EIA, RS-310-D, IEC297-2, DIN41494;PART1, DIN41494;PART7, GB/T3047.2-92, ETSI standard.

Front&Rear door feature:

- Toughened glass front door with more ruffled round vented door border;
- Hexagonal reticular high-density vented plate rear door;
- The ventilated rate is 75%
- Front & rear door are free solder reinforcement structure, Elegant and sturdy;
- Front & rear door with elegant lock;
- The lock can be equipped according to the customer's needs;
- Front&Rear doors can be designed to open in left or right;
- Front&rear doors can be changed to double-doors

Material

- Mounting profile&Mounting angle: Fingerprint resistant aluminum zinc plate; The rest: SPCC cold rolled steel; Thickness: mounting profile 2.0mm, mounting angle 1.5mm, others 1.2mm

Surface finish:

- Degreasing, Vitrification, power coated;

Degree of protection:

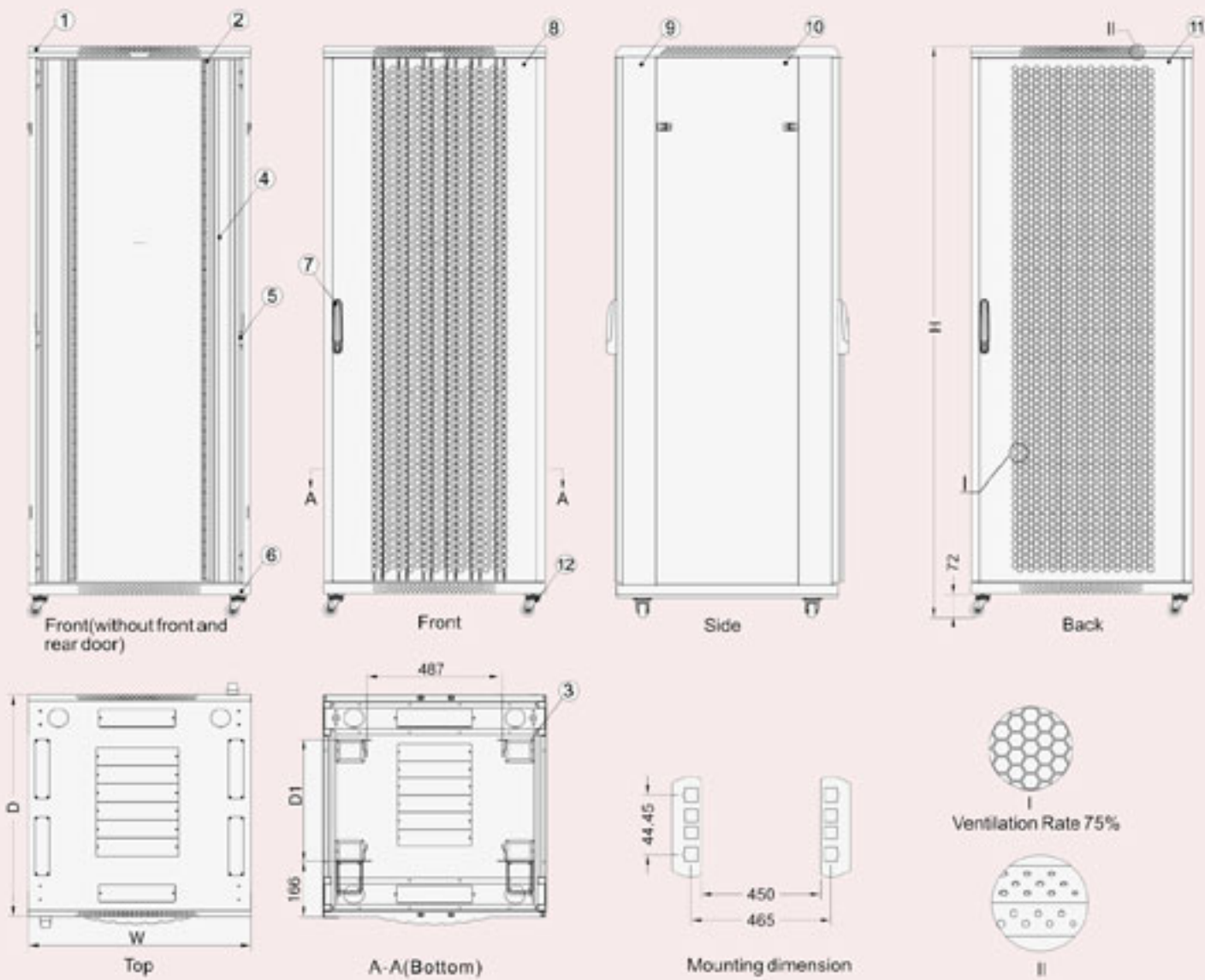
- IP20

Loading capacity:

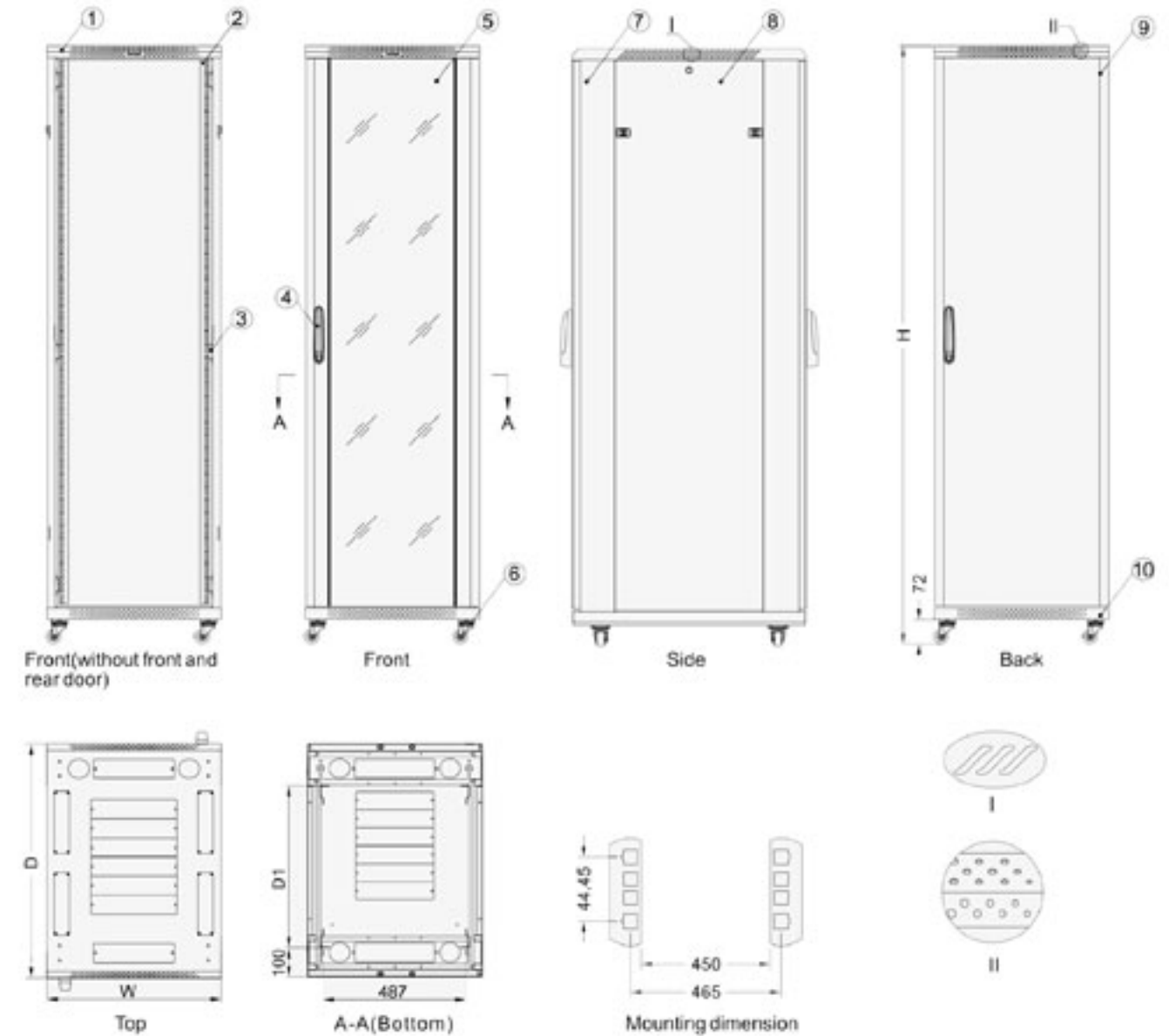
- Static loading: 800KG (with adjustable feet)



Width 800mm main dimension



Width 600mm main dimension

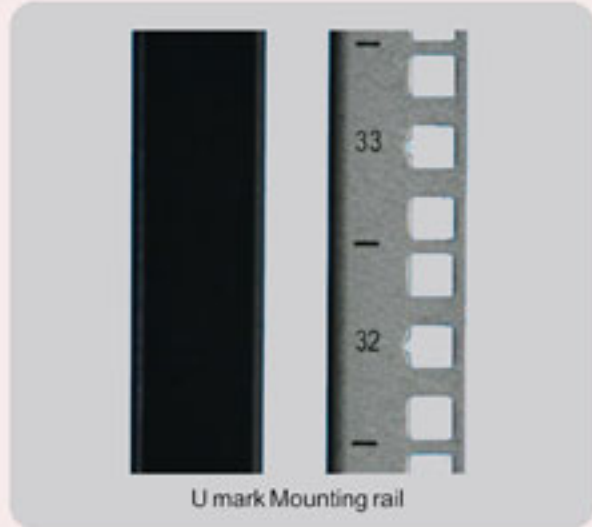


S/N	Specification	Quantity	Unit	Mterial	Surface Finish	Remark
1	Top cover	1	Piece	SPCC cold rolled steel t1.2	Powder coated	---
2	Mounting profile	4	Piece	Fingerprint-resistant aluminum deposited zinc plate t2.0	Material	---
3	Spacer	12	Piece	SPCC cold rolled steel t1.5	Powder coated	8pcs for lower 32U
4	Cable management slot	2	Piece	SPCC cold rolled steel t0.8/Plastic	Powder coated	---
5	Mounting angle	6	Piece	Fingerprint-resistant aluminum deposited zinc plate t1.5	Material	4pcs for lower 32U
6	Bottom panel	1	Piece	SPCC cold rolled steel t1.2	Powder coated	---
7	Luxurty lock	2	Piece	---	Black	---
8	Front door	1	Piece	5mm Toughened glass/SPCC t1.2	Powder coated	---
9	Frame	2	Piece	SPCC cold rolled steel t1.2	Powder coated	---
10	Side panel	2	Piece	SPCC cold rolled steel t1.2	Powder coated	---
11	Rear door	1	Piece	SPCC cold rolled steel t1.2	Powder coated	---
12	2" heavy duty castor	4	Piece	---	---	---

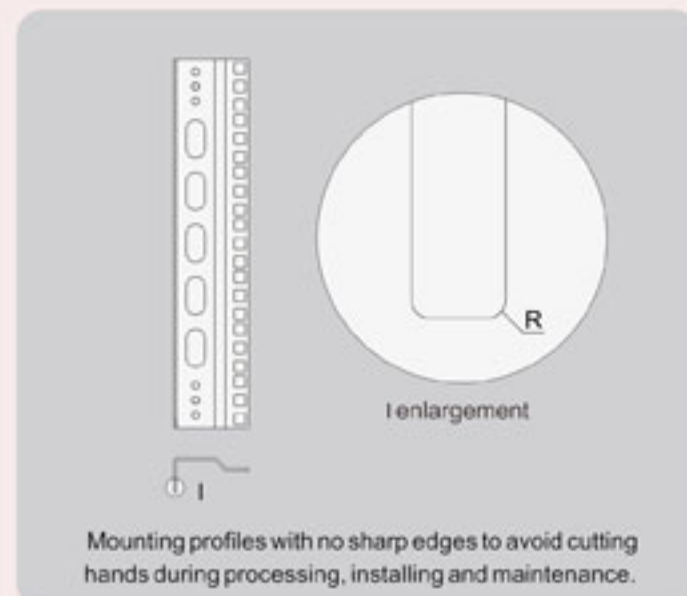
S/N	Specification	Quantity	Unit	Mterial	Surface Finish	Remark
1	Top cover	1	Piece	SPCC cold rolled steel t1.2	Powder coated	---
2	Mounting profile	4	Piece	Fingerprint-resistant aluminum deposited zinc plate t2.0	Material	---
3	Mounting angle	6	Piece	Fingerprint-resistant aluminum deposited zinc plate t1.5	Material	4pcs for lower 32U
4	Luxurty lock	2	Piece	---	Black	---
5	Front door	1	Piece	5mm Toughened glass/SPCC t1.2	Powder coated	---
6	2" heavy duty castor	4	Piece	---	---	---
7	Frame	2	Piece	SPCC cold rolled steel t1.2	Powder coated	---
8	Side panel	2	Piece	SPCC cold rolled steel t1.2	Powder coated	---
9	Rear door	1	Piece	SPCC cold rolled steel t1.2	Powder coated	---
10	Bottom panel	1	Piece	SPCC cold rolled steel t1.2	Powder coated	---

Server / Networking Cabinet

Mounting profile



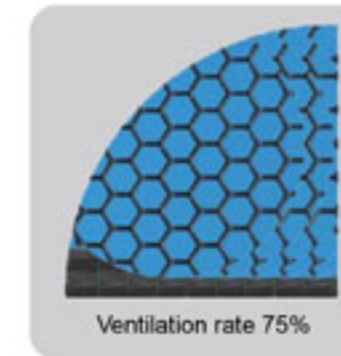
- High precision manufacturing
- High precision installation and cancel the adjustable gap
- No out of shape after installing equipments;
- Better strength with rapezoidal cross-section structure;
- Good electrical conductivity and facilitate equipment equipotential installation, prevent electrostatic damage
- Cable can go through the elliptic holes of mounting profile
- Front and rear with 25mm modulus values adjustable;
- Beautiful appearance



Width 800mm main dimension

Front and rear door

- Ventilation rate 75%
- Left or right opening;
- Single section door can be changed to double-section door;
- Free of weld reinforcement structure
- Beautiful appearance;
- With high quality elegant lock



Server / Networking Cabinet

Earthing device

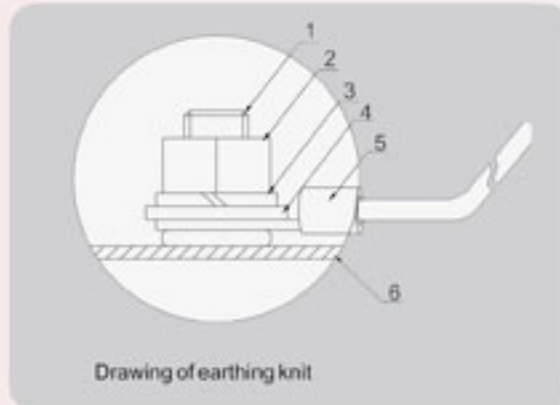


Earth knut

Specification	Values (Kgf cm min)
Test tighten torque	28.8
Allowable tightening torque	36



Earth knut with jacket



Drawing of earthing knut



Main parts with earthing knits can connect with each other

S/N	Specification	S/N	Specification
1	M6* 13 screw	4	Ø6 Spring cushion
2	Ø6 Nut	5	Earthing kit
3	Ø6 Flat cushion	6	workpiece



Earth wire

Model No.	Specification
320600631	0.1 M*3. 332MM², Kelly, with ground connector
320600017	0.25 M*3. 332MM², Kelly, with ground connector
320600011	0.3 M*3. 332MM², Kelly, with ground connector
320600003	0.5 M*3. 332MM², Kelly, with ground connector
320600010	0.8 M*3. 332MM², Kelly, with ground connector
320600022	1.0 M*3. 332MM², Kelly, with ground connector

Server / Networking Cabinet

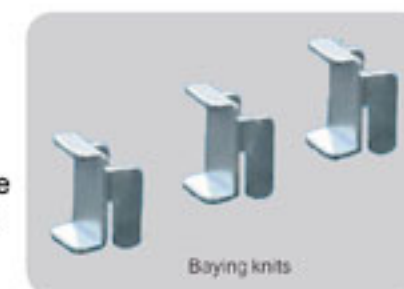
Vertical installation PDU

- Vertical installation PDU do not take up space of equipment;
- Mounting angle can be shortening in back, can meet full size PDU with vertical installation
- A complete set of accessories;
- PDU with thickness less than 50mm, after installation will not affect the server after disassembling
- With vertical inclined hole vertical installation PDU, the space taken by the plugs is smaller, which can save installation space

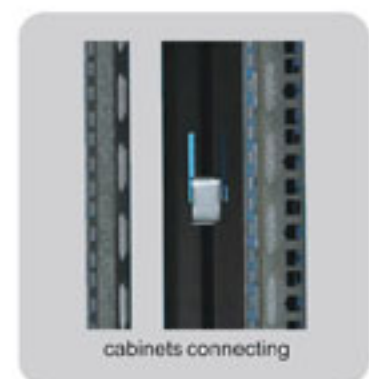


Baying knits

- Connecting 2 cabinets;
- Tool-free installation;
- When connecting, side doors will remove
- 4baying knits is used for each 2 cabinet

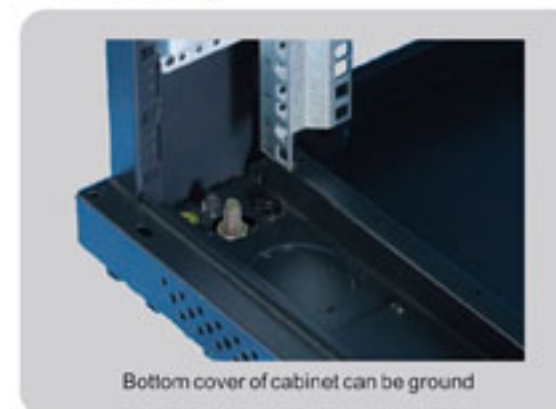


Baying knits

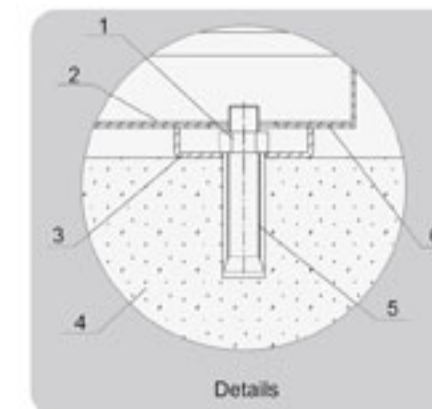


cabinets connecting

Grounding



Bottom cover of cabinet can be ground



Details

S/N	Specification
1	M12 screw
2	Frame
3	Pallet
4	Floor
5	M12 expansion bolt
6	Bottom cover



Server / Networking Cabinet

Specification

S/N	Capacity (U)	Width (mm)	Depth (mm)	D1 (mm)	Height (mm)	Packing Dimension	Volume (M ³)	
HMRC18U60x60	18	600	600	361	988	670*700*1028	0.4821	
HMRC18U60x80			800	561		670*900*1028	0.6199	
HMRC18U60x90			900	661		670*1000*1028	0.6888	
HMRC18U60x100			1000	736		670*1100*1028	0.7576	
HMRC22U60x60	22	600	600	361	1166	670*700*1196	0.5609	
HMRC22U60x80			800	561		670*900*1196	0.7212	
HMRC22U60x90			900	661		670*1000*1196	0.8013	
HMRC22U60x100			1000	736		670*1100*1196	0.8815	
HMRC27U60x60	27	600	600	361	1388	670*700*1418	0.6650	
HMRC27U60x80			800	561		670*900*1418	0.8551	
HMRC27U60x90			900	661		670*1000*1418	0.9501	
HMRC27U60x100			1000	736		670*1100*1418	1.0451	
HMRC32U60x60	32	600	600	361	1610	670*700*1640	0.7692	
HMRC32U60x80			800	561		670*900*1640	0.9889	
HMRC32U60x90			900	661		670*1000*1640	1.0988	
HMRC32U60x100			1000	736		670*1100*1640	1.2087	
HMRC37U60x60	37	600	600	361	1833	670*700*1863	0.8737	
HMRC37U60x80			800	561		670*900*1863	1.1234	
HMRC37U60x90			900	661		670*1000*1863	1.2482	
HMRC37U60x100			1000	736		670*1100*1863	1.3730	
HMRC37U60x120			1200	736		670*1300*1863	1.6227	
HMRC42U60x60	42	600	600	361	2055	670*700*2085	0.9779	
HMRC42U60x80			800	561		670*900*2085	1.2573	
HMRC42U60x90			900	661		670*1100*2085	1.3970	
HMRC42U60x100			1000	736		670*1300*2085	1.5366	
HMRC42U60x110			1100	736		670*1100*2085	1.6763	
HMRC42U60x120		1200	736	670*1300*2085		1.8160		
HMRC42U80x60		800	600	600		308	870*700*2085	1.2698
HMRC42U80x80				800		508	870*900*2085	1.6326
HMRC42U80x90				900		608	870*1100*2085	1.8140
HMRC42U80x100				1000		708	870*1300*2085	1.9953
HMRC42U80x110	1100			733	870*1100*2085	2.1767		
HMRC42U80x120	1200	733	870*1300*2085	2.3581				
HMRC47U60x60	47	600	600	361	2277	670*700*2307	1.0820	
HMRC47U60x80			800	561		670*900*2307	1.3911	
HMRC47U60x90			900	661		670*1100*2307	1.5457	
HMRC47U60x100			1000	736		670*1300*2307	1.7003	
HMRC47U60x110			1100	736		670*1100*2307	1.8548	
HMRC47U60x120			1200	736		670*1300*2307	2.0094	
HMRC47U80x60		800	600	600		308	870*700*2307	1.4050
HMRC47U80x80				800		508	870*900*2307	1.8064
HMRC47U80x90				900		608	870*1100*2307	2.0071
HMRC47U80x100				1000		708	870*1300*2307	2.2078
HMRC47U80x110				1100		733	870*1100*2307	2.4085
HMRC47U80x120				1200		733	870*1300*2307	2.6092

● Letter (v) will be added on steel front doors part numbers

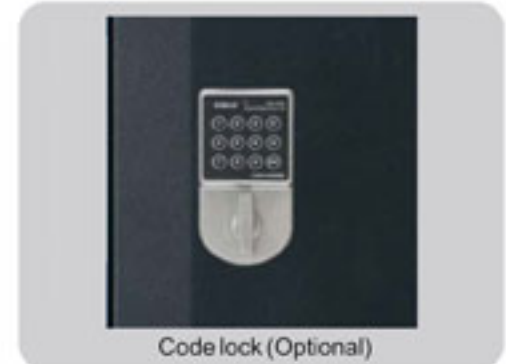
Server / Networking Cabinet



Side panels without lock (standard)



Side panels with lock (optional)



Code lock (Optional)

Standard

- Comply with ANSI/EIA, RS-310-D, IEC297-2, DIN41494;PART1, DIN41494;PART7, GB/T3047.2-92, ETSI standard.

Front&Rear door feature:

- Steel front door without vented hole;
- Steel rear door without vented hole;
- Front & rear door are free solder reinforcement structure, Elegant and sturdy;
- Front & rear door with elegant lock;
- The lock can be equipped according to the customer's needs;
- Front&Rear doors can be designed to open in left or right;
- Front&rear doors can be changed to double-doors

Material

- Mounting profile&Mounting angle: Fingerprint resistant aluminum zinc plate; The rest: SPCC cold rolled steel; Thickness: mounting profile 2.0mm, mounting angle 1.5mm, others 1.2mm

Surface finish:

- Degreasing, Vitrification, power coated;

Degree of protection:

- IP20

Loading capacity:

- Static loading: 800KG (with adjustable feet)